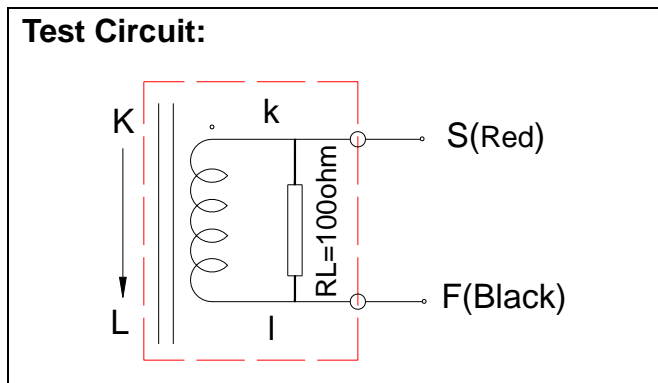
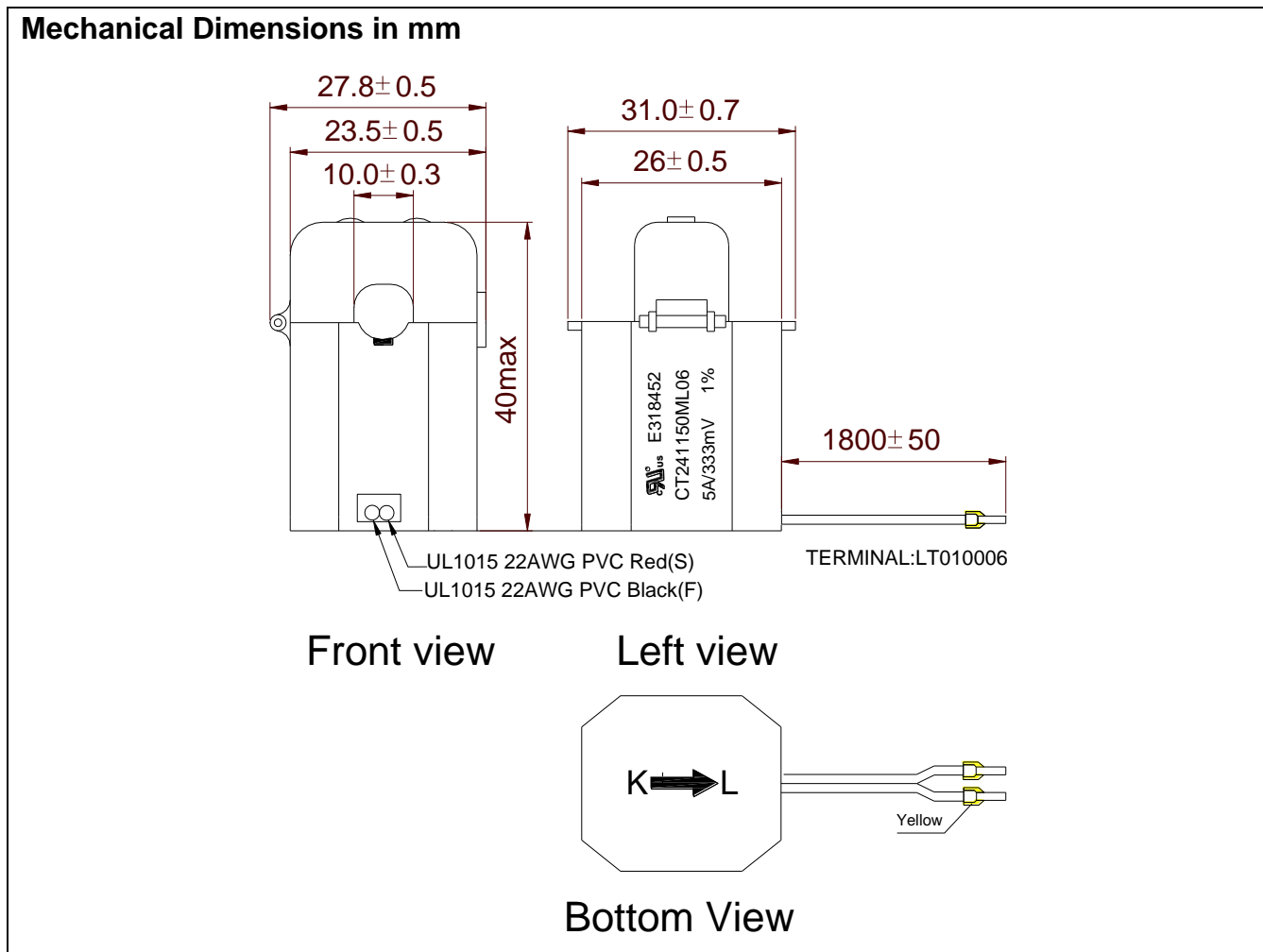




Thousand Hundred Industrial CO.,LTD.

Customer Part No.	5A/333mV	Date Of Issue :	07/22/19
T.H. Part No.	CT241150ML06	T.H. Sample No.	4075F



China:
 Tel : +86-769-83367090 Fax :+86-769-83367590
 E-mail:dgth@thic.net www.thic.net

Taiwan:
 Tel : +886-3-5994440 Fax:+886-3-5902243
 E-mail : fp@thic.net www.thic.net



Thousand Hundred Industrial CO.,LTD.

Customer Part No.	5A/333mV	Date Of Issue :	07/22/19
T.H. Part No.	CT241150ML06	T.H. Sample No.	4075F

Electrical Specifications

Rated Primary Current(Amp.) 50Hz	5A (0.25A-6A Max)
Turns ratio	Np:Ns=1:1500
Current Ratio	5A/333mV
Secondary Output at Rated Current	333 mV(Resistor Inside The CT)
Accuracy @RL ≤ 100Ω	1%
Operating Temperature Range	-20~65°C
Storage Temperature Range	-25~85°C
Dielectric Withstanding Voltage(Hi-pot)	2.5KV/1mA/1min
Insulation Resistance	DC500V/100MΩ min

Mechanical Specifications

CUP	PA66
Opening Angle	180 degree
Output terminal	UL1015 22AWG PVC WIRE (red /black) 105°C 600V
Approx.Weight	45g

China:

Tel : +86-769-83367090 Fax :+86-769-83367590
E-mail:dgth@thic.net www.thic.net

Taiwan:

Tel : +886-3-5994440 Fax:+886-3-5902243
E-mail : fp@thic.net www.thic.net



Thousand Hundred Industrial CO.,LTD.

Customer Part No.	5A/333mV	Date Of Issue :	07/22/19
T.H. Part No.	CT241150ML06	T.H. Sample No.	4075F

Measured Result:

Current		0.25A	1A	5A	6A
SPEC	Vout(mV)	16.66	66.66	333.33	400
		±1%	±1%	±1%	±1%
		16.49	65.99	330.00	396.00
		16.83	67.33	336.66	404.00
1#	Vout(mV)	16.64	66.27	331.54	399.89
2#	Vout(mV)	16.60	66.31	331.70	398.21
3#	Vout(mV)	16.61	66.45	331.82	398.45
4#	Vout(mV)	16.59	66.38	331.45	397.88
5#	Vout(mV)	16.60	66.49	331.95	398.95
AVE	Vout(mV)	16.61	66.38	331.69	398.68
MAX	Vout(mV)	16.64	66.49	331.95	399.89
MIN	Vout(mV)	16.59	66.27	331.45	397.88

China:

Tel : +86-769-83367090 Fax :+86-769-83367590
E-mail:dgth@thic.net www.thic.net

Taiwan:

Tel : +886-3-5994440 Fax:+886-3-5902243
E-mail : fp@thic.net www.thic.net