



Thousand Hundred Industrial CO.,LTD.

| | | | |
|-------------------|------------------------|------------------|--------------|
| Customer Name | 助成 | Date Of Issue : | 11/21/22 |
| Description | Split Core Transformer | Sample Quantity | |
| Customer Part No. | 50A/333mV | Customer DWG.No. | |
| T.H. Part No. | CT241200ML41 | T.H. Sample No. | 45650 |

ACKNOWLEDGMENT SPECIFICATION FOR APPROVAL

| Approved by | Checked by | Checked by | Engineering |
|-------------|------------|------------|-------------|
| | | | |

CUSTOMER APPROVED

| Approved by | Checked by | Acknowledged by |
|-------------|------------|-----------------|
| | | |



Drawn by: Ruili Lin

| | |
|---|---|
| China: Address: No.8, Donghuan 4th St., Jintigang, Huangjiang Town, Dongguan City, Guangdong, China Tel: +86-769-83367090 Fax: +86-769-83367590 E-mail: sales.cn@thic.net www.thic.net | Taiwan: Address: No. 9, Aly. 29, Ln. 335, Chenggong Rd., Hukou Township, Hsinchu County, Taiwan Tel: +886-3-5994440 Fax: +886-3-5902243 E-mail: top-th@thic.net www.thic.net |
|---|---|



Thousand Hundred Industrial CO.,LTD.

| | | | |
|-------------------|---------------------|-----------------|--------------|
| Customer Part No. | 50A/333mV | Date Of Issue : | 11/21/22 |
| T.H. Part No. | CT241200ML41 | T.H. Sample No. | 45650 |

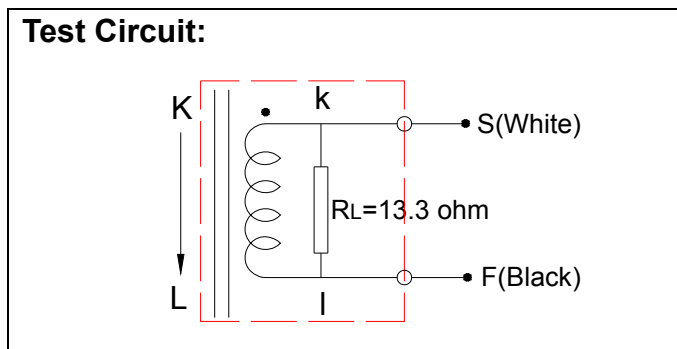
Mechanical Dimensions in mm

(A) 27.8 ± 0.5
 (B) 10.0 ± 0.3
 (C) 40max
 (D) 30.5 ± 0.5
 (E) 26 ± 0.5
 (F) 50 ± 10
 (G) 6 ± 1

UL1015 22AWG PVC WIRE WHITE(S)
 UL1015 22AWG PVC WIRE BLACK(F)

Front view **Left view**

Bottom View



China:
 Address: No.8, Donghuan 4th St., Jintigang, Huangjiang Town,
 Dongguan City, Guangdong, China
 Tel: +86-769-83367090 Fax: +86-769-83367590
 E-mail: sales.cn@thic.net www.thic.net

Taiwan:
 Address: No. 9, Aly. 29, Ln. 335, Chenggong Rd., Hukou Township,
 Hsinchu County, Taiwan
 Tel: +886-3-5994440 Fax: +886-3-5902243
 E-mail: top-th@thic.net www.thic.net



Thousand Hundred Industrial CO.,LTD.

| | | | |
|-------------------|---------------------|-----------------|--------------|
| Customer Part No. | 50A/333mV | Date Of Issue : | 11/21/22 |
| T.H. Part No. | CT241200ML41 | T.H. Sample No. | 45650 |

Electrical Specifications(@50Hz)

| | |
|---|--|
| Rated Primary Current(Amp.) 50Hz/60Hz | 50A(2.5-60A max) |
| Turns ratio | Np:Ns=1:2000 |
| Current Ratio | 50A/333mV |
| Secondary Output at Rated Current | 333mV(resistor inside the CT) |
| Accuracy* @RL=13.3Ω | 0.5% |
| Operating Temperature Range | -20~65℃ |
| Storage Temperature Range | -25~85℃ |
| Dielectric Withstanding Voltage(Hi-pot) | 2.5KV/1mA/1min |
| Insulation Resistance | DC500V/100MΩ min |
| Note | Insulated plastic case recognized according to UL 94-V0. |

*Accuracy meets IEC/EN61869-2 & IEEE/ANSI C57.13.

Mechanical Specifications

| | |
|-----------------|--|
| CUP | PA66 |
| Opening Angle | 180 degree |
| Output Terminal | UL1015 22AWG PVC Wire(white&black) 105℃ 600V |
| Approx.Weight | 40g |

Safety Standards

| | |
|------|--|
| UL | IEEE C57.13.2 CAN/CSA-C61869-1&2 |
| CE | EN50178 (LVD) |
| UKCA | BS EN 61869-6:2016 (EER) BS EN 61326-1:2013 (EMC) |

China:

Address: No.8, Donghuan 4th St., Jintigang, Huangjiang Town,
Dongguan City, Guangdong, China
Tel: +86-769-83367090 Fax: +86-769-83367590
E-mail: sales.cn@thic.net www.thic.net

Taiwan:

Address: No. 9, Aly. 29, Ln. 335, Chenggong Rd., Hukou Township,
Hsinchu County, Taiwan
Tel: +886-3-5994440 Fax: +886-3-5902243
E-mail: top-th@thic.net www.thic.net



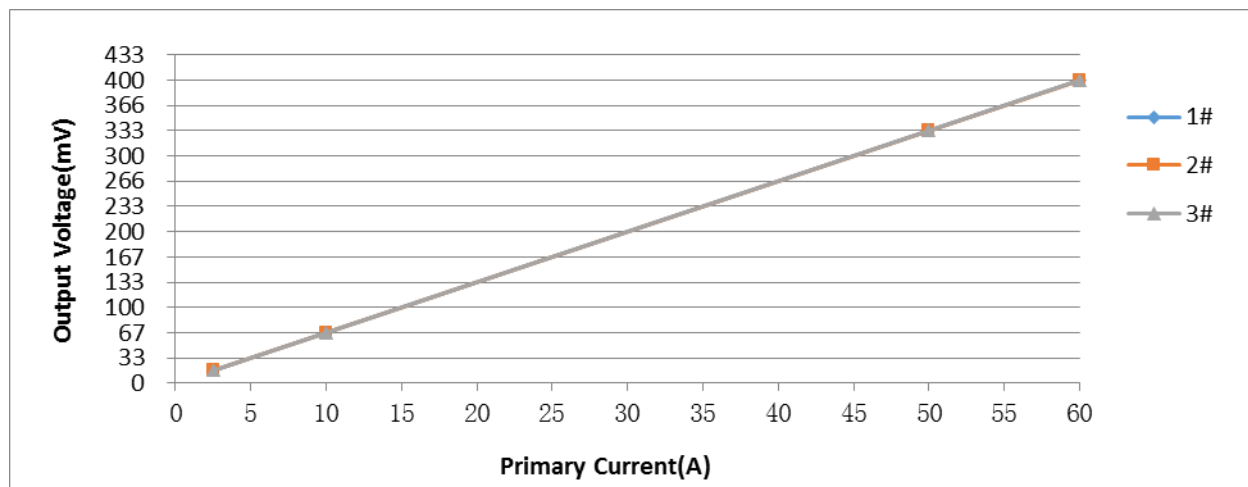
Thousand Hundred Industrial CO.,LTD.

| | | | |
|-------------------|---------------------|-----------------|--------------|
| Customer Part No. | 50A/333mV | Date Of Issue : | 11/21/22 |
| T.H. Part No. | CT241200ML41 | T.H. Sample No. | 45650 |

Measured Result(@50Hz, room temperature): RL=13.3Ω

| Current(A) | | 2.5 | 10 | 50 | 60 |
|------------|----------|--------|--------|--------|--------|
| SPEC | Vout(mV) | 16.65 | 66.60 | 333.00 | 399.60 |
| | | ±1.5% | ±0.75% | ±0.5% | ±0.5% |
| | | 16.40 | 66.10 | 331.34 | 397.60 |
| | | 16.90 | 67.10 | 334.67 | 401.60 |
| 1# | Vout(mV) | 16.673 | 66.70 | 333.30 | 399.80 |
| 2# | Vout(mV) | 16.667 | 66.60 | 333.10 | 399.50 |
| 3# | Vout(mV) | 16.673 | 66.60 | 333.30 | 399.90 |
| AVE | Vout(mV) | 16.671 | 66.63 | 333.23 | 399.73 |
| MAX | Vout(mV) | 16.673 | 66.70 | 333.30 | 399.90 |
| MIN | Vout(mV) | 16.667 | 66.60 | 333.10 | 399.50 |

Output curve:



| | |
|---|---|
| China: Address: No.8, Donghuan 4th St., Jintigang, Huangjiang Town, Dongguan City, Guangdong, China Tel: +86-769-83367090 Fax: +86-769-83367590 E-mail: sales.cn@thic.net www.thic.net | Taiwan: Address: No. 9, Aly. 29, Ln. 335, Chenggong Rd., Hukou Township, Hsinchu County, Taiwan Tel: +886-3-5994440 Fax: +886-3-5902243 E-mail: top-th@thic.net www.thic.net |
|---|---|



Thousand Hundred Industrial CO.,LTD.

| | | | |
|-------------------|---------------------|-----------------|--------------|
| Customer Part No. | 50A/333mV | Date Of Issue : | 11/21/22 |
| T.H. Part No. | CT241200ML41 | T.H. Sample No. | 45650 |

Material List

| No. | ITEM | Part No. | UL File No. | CCN | MATERIAL | NOTE |
|-----|--------------|--------------------------------|-------------|---------|-----------------|------------|
| 1 | CORE | CRUU2000MSY2 | / | / | R12K | |
| 2 | HOUSING | HSCT0400DG07 HSCT0400DG08 | E41797 | QMFZ2/8 | PA66 | |
| 3 | BOBBIN | BNUU2000DG01 | E107536 | QMFZ2/8 | E202G15 | |
| 4 | WIRE | WR010NGS2U02 | E201757 | OBMW2 | UEWN/U | |
| 5 | LEAD WIRE | LD220100WPDJ0 LD220100BPDJ0 | / | AVLV2/8 | UL1015 22AWG | 105°C 600V |
| 6 | RESISTOR | RD13R3-0101 | / | / | 1/4W 13.3Ω | |
| 7 | SOLDER | CHSB0001XD01 | / | / | Sn-0.3Ag-0.7Cu | |

China:

Address: No.8, Donghuan 4th St., Jintigang, Huangjiang Town,
Dongguan City, Guangdong, China
Tel: +86-769-83367090 Fax: +86-769-83367590
E-mail: sales.cn@thic.net www.thic.net

Taiwan:

Address: No. 9, Aly. 29, Ln. 335, Chenggong Rd., Hukou Township,
Hsinchu County, Taiwan
Tel: +886-3-5994440 Fax: +886-3-5902243
E-mail: top-th@thic.net www.thic.net